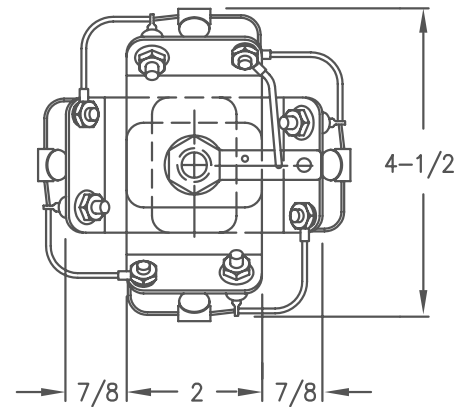
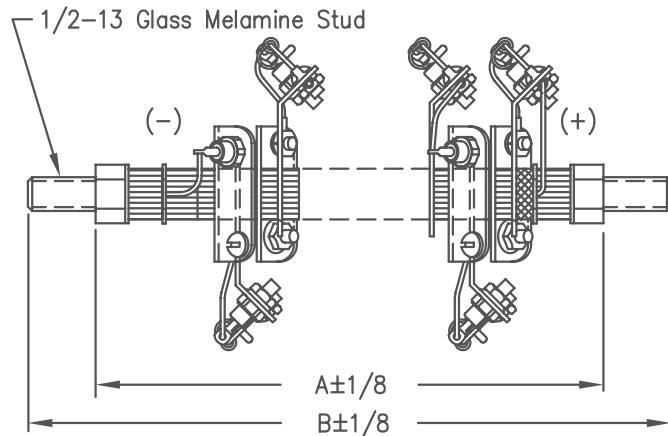
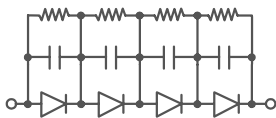


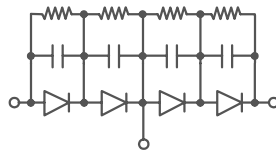
# High Voltage Rectifier Assembly JHV37 Series



Mounting: Horizontal (convection cooling)  
 Horizontal or vertical (forced air or oil)  
 DC output rating— 15 Amps/25°C convection cooled  
                           — 38 Amps/40°C forced air cooled  
   @ 1000 LFM  
                           — 57 Amps/40°C oil cooled  
 Peak Reverse voltage— from 8KV to 80KV



H = Halfwave



D = Doubler

- Single Phase Halfwave Or Doubler
- Aluminum Heatsinks
- Each Diode is R-C Compensated
- 1500 Amperes Surge Current (1 Cycle)
- Resistive - Inductive Load. Derate 20% for Capacitive Loads

| CATALOG NUMBER | PRV RATING KV | DIMENSION A | DIMENSION B |
|----------------|---------------|-------------|-------------|
| JHV37*8        | 8             | 5-1/8       | 7-1/4       |
| JHV37*12       | 12            | 6-1/4       | 8-1/4       |
| JHV37*16       | 16            | 7-3/8       | 9-1/2       |
| JHV37*20       | 20            | 8-1/2       | 10-1/2      |
| JHV37*24       | 24            | 9-5/8       | 11-3/4      |
| JHV37*28       | 28            | 10-3/4      | 12-3/4      |
| JHV37*32       | 32            | 11-7/8      | 14          |
| JHV37*36       | 36            | 13          | 15          |
| JHV37*40       | 40            | 14-1/8      | 16-1/4      |
| JHV37*44       | 44            | 15-1/4      | 17-1/4      |
| JHV37*48       | 48            | 16-3/8      | 18-1/2      |
| JHV37*52       | 52            | 17-1/2      | 19-1/2      |
| JHV37*56       | 56            | 18-5/8      | 20-3/4      |
| JHV37*60       | 60            | 19-3/4      | 21-3/4      |
| JHV37*64       | 64            | 20-7/8      | 23          |
| JHV37*68       | 68            | 22          | 24          |
| JHV37*72       | 72            | 23-1/8      | 25-1/4      |
| JHV37*76       | 76            | 24-1/4      | 26-1/2      |
| JHV37*80       | 80            | 25-3/8      | 27-1/2      |

\*Add H or D For doublers add 1" to both dimensions A & B

# JHV37

